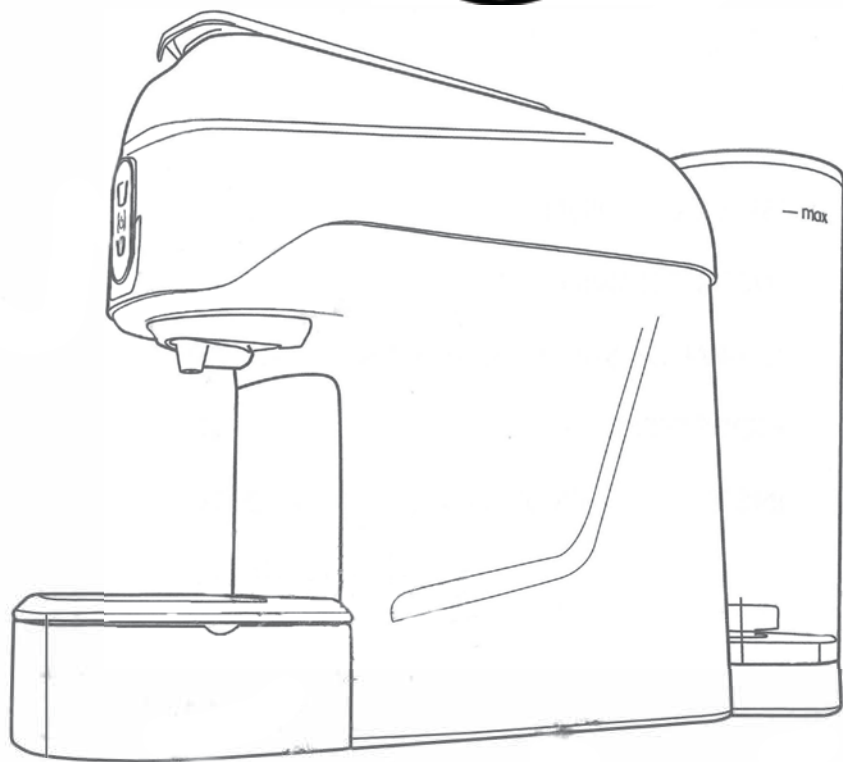


Fast Back



Type **802**

Made in Italy

- ISTRUZIONI D'USO
- INSTRUCTIONS FOR USE
- GEBRAUCHSANWEISUNGEN
- MODE D'EMPLOI
- INSTRUCCIONES DE USO



GENERAL

Before using this coffee machine, read the user manual carefully and keep it so that you can consult it in the future.

The use and maintenance manual helps you to use the machine safely and intelligently, and to discover all its functions.

Remember that good operation, but above all safe operation, also depends on your knowledge of the appliance and of its correct maintenance over time. For further information regarding the instructions given in this document, please contact your dealer

The manufacturer declines all responsibility in the case of incorrect use not complying with the information given, adaptations, alterations or improvised repairs, or repairs not carried out by qualified personnel. This conduct voids the guarantee provided with the appliance. In the event of malfunction or manufacturing defects of the appliance, apply to the sales outlet where you bought it, presenting your cash receipt.

TECHNICAL SPECIFICATIONS

Power supply voltage 220 - 240 V, 50 - 60 Hz

Pump 48 W , 230 V CL. F NSF BAR 19

Safety fuse

Appliance power 850 W

Power cable length 1 m

Tank capacity 0.8 litres

Energy saving function

SAFETY DEVICES

Safety fuse



LOCATION

- Place the coffee machine on a stable horizontal surface, suitable to bear its weight and heat, dry and far from sources of water and heat.
- Do not place it on top of other household appliances (washing machines, dishwashers, refrigerators, etc.)
- Never place it or leave it outdoors.

SAFETY STANDARDS

To avoid the risks of electrical discharge and fire:

- Connect the coffee machine only to suitable mains connections, with earth. Check that the voltage shown on the appliance data plate is the same as the supply voltage.
- Do not use the appliance if the cable or plug is damaged, after a malfunction of the machine or after damage of any kind. Apply to an authorised service centre to have it checked, repaired, or to ensure it is working correctly.
- If the power cable is damaged it must be replaced only by the manufacturer or by an authorised service centre.
- Never pass the power cable over sharp corners or edges and keep it far from sources of heat and humidity.
- To avoid damage, never lay the coffee machine on or next to hot surfaces (radiators, cooking surfaces, gas burners, etc.)
- During long periods out of use, disconnect the appliance from the power socket.
- To avoid damage, disconnect the coffee machine by pulling the plug and not the power cable; never transport the appliance holding it by the power cable.
- Never touch the power cable with wet hands.
- Do not expose the appliance to jets of water, or allow it to be partly or totally immersed. In the presence of electricity water creates a risk and may cause electric shocks.
- Never make technical alterations to the coffee machine.

Always disconnect the power cable from the socket:

- Before removing or inserting the water tank.
- To fill the tank with water.
- When the appliance is not to be used for a long period of time.
- In the event of malfunction.
- Before cleaning the appliance.

To avoid risks during operation:

- This coffee machine is intended to be used in domestic and similar applications such as:
 - in cooking areas reserved for staff in shops, offices and other professional environments;
 - in farm holiday centres;
 - use by guests in hotels, motels and other residential environments;
 - in facilities such as bed and breakfast.
- Use this coffee machine exclusively as indicated in these instructions.
- This appliance may be used by minors from the age of 8 if supervised by an adult or instructed in its safe use and aware of the risks that they run. Keep the appliance and the power cable out of the reach of children.
- Leave this machine out of the reach of children so that they do not have the chance to play with it.
- This appliance may be used by persons with reduced physical, sensory or mental capacities, or who lack experience or knowledge, if they are supervised or instructed in its safe use and aware of the risks that they run.
- Steam and hot water can cause scalds! Never put your fingers under the dispenser when the machine is operating.
- Always close the lever and do not open it when the appliance is dispensing. Risk of scalds.
- Do not put your finger in the capsule container. Danger of injury.
- Do not use damaged or deformed capsules. The water could run around the incorrectly holed capsule and cause damage to the appliance.
- Do not use the coffee machine without the drip tray.

To avoid damage to the machine:

- Fill the tank exclusively with drinking water; never use water with added gas or other liquids.
- To prevent the pump running empty and overheating, before starting the appliance always check that there is sufficient water in the tank.



 **Attention**

No liability is accepted for any damage resulting from:

- Incorrect use not complying with the intended purposes.
- Repairs not carried out at authorised service centres;
- Tampering with the power cable;
- Tampering with any component of the machine;
- Use of non original spares parts and accessories.

In these cases the guarantee is void.

If the product is powered by an inverter (by a photovoltaic system, storage system and solar batteries, etc.), make sure that the system complies, as regards both safety and performance, with the regulations in force concerning the supply of electric power.

Make sure that an inverter complying with the current regulations is used and that it generates a sinusoidal supply voltage with characteristics at least the same as those guaranteed by the traditional electric power supplier.

The product cannot be powered with supplies declared as "modified sinusoidal supply" or "modified sine wave"



DISPOSAL

At the end of the machine's working life, make it inoperative before disposing of it in conformity with the regulations on separate waste collection. Disconnect the plug from the socket and cut the power cable.



WARNINGS FOR CORRECT DISPOSAL OF THE PRODUCT IN ACCORDANCE WITH EUROPEAN DIRECTIVE 2012/19/EU

The symbol of the crossed out bin on the appliance indicates that, at the end of its working life, the product must be collected separately from other waste. The user must therefore send the discarded appliance to suitable centres for the separate collection of electric and electronic equipment, or return it to the dealer when buying a new appliance of an equivalent type.

Suitable separate collection in which the discarded appliance is sent for recycling, treatment and environmentally compatible disposal, helps avoid possible negative effects on health and the environment, and encourages the reuse of the materials of which the appliance is composed. The user is responsible for handing over the appliance to the appropriate collection facilities at the end of its working life.

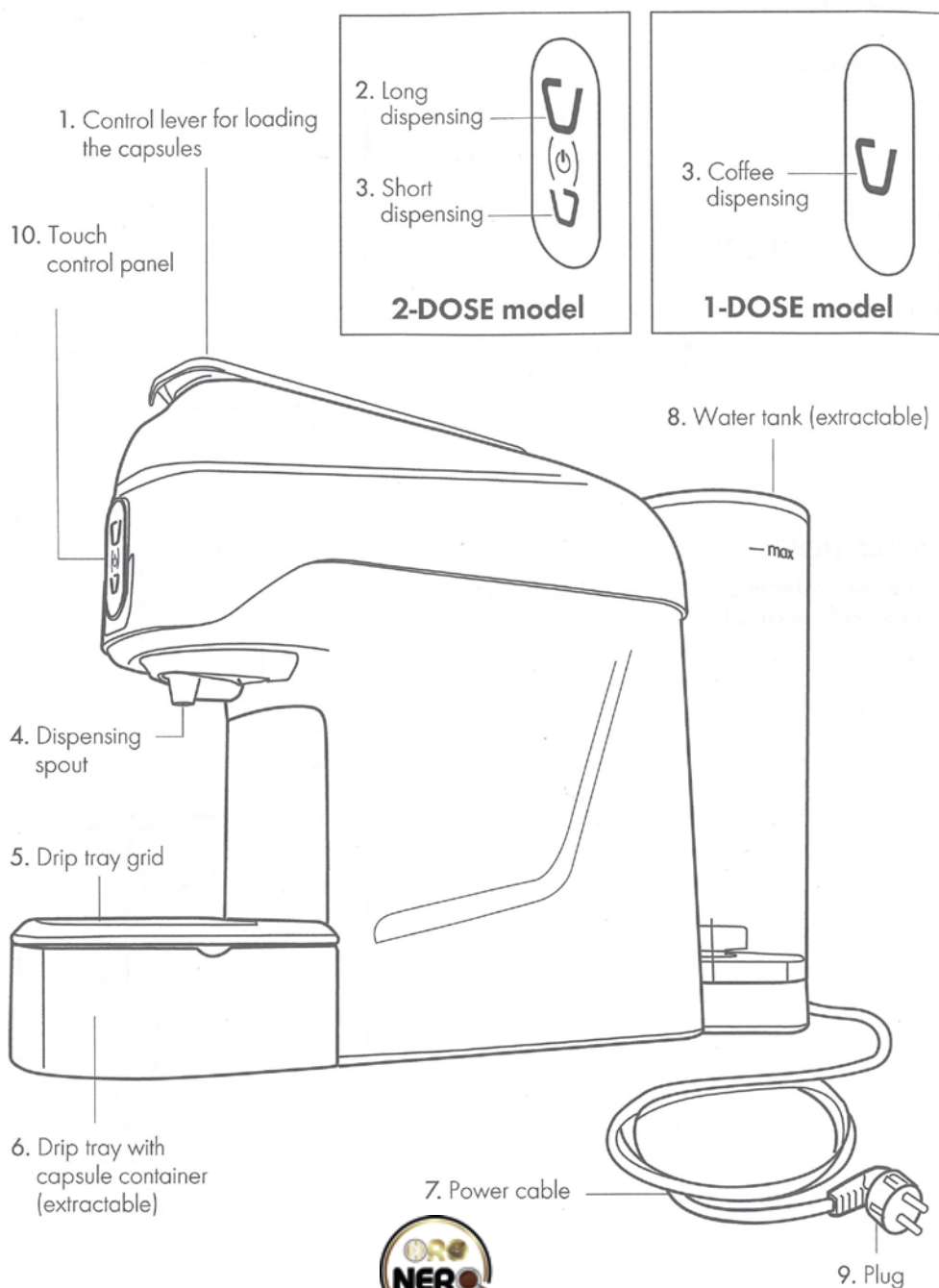
For further information on the collection systems available, apply to the local waste disposal service or to the sales outlet where you purchased the appliance. Anyone who abandons this appliance or throws it out and does not return it to a separate collection centre for electric and electronic equipment is punishable by law with the administrative sanctions applied for illegal waste disposal.

PACKAGING

The packaging is important for protecting the product during transport. Before disposing of the packaging material, check that the appliance is intact and operating correctly. In the event of disputes the appliance must be returned in its original packaging. The packaging materials must be kept out of the reach of children as they are a potential source of danger. Dispose of the packaging materials in compliance with the local regulations on separate waste collection. The symbols on the packaging indicate how the materials are to be disposed of correctly. Intelligent disposal is the first step towards a correct defence of the environment.



MACHINE COMPONENTS



USE OF THE MACHINE

Filling the tank

- Take the tank (8) out of the machine by pulling it upwards, then remove the cover (Fig.1)
- Fill the tank until the indicated maximum level is reached (MAX). (Fig.2)
- Close the cover and insert the tank (8) against the machine body so that the tab engages and the base of the tank rests correctly on the water valve. (Fig.3)

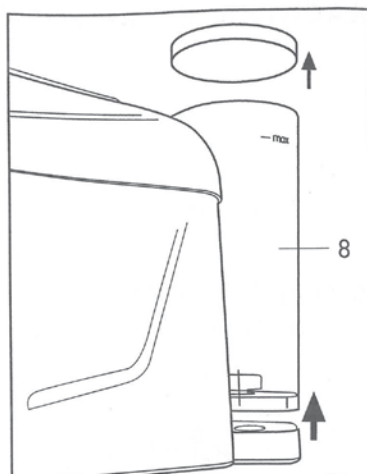


Fig. 1

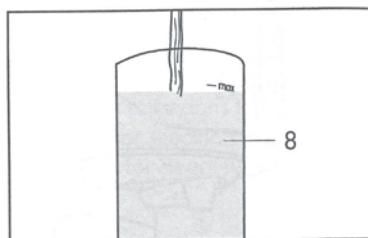


Fig. 2

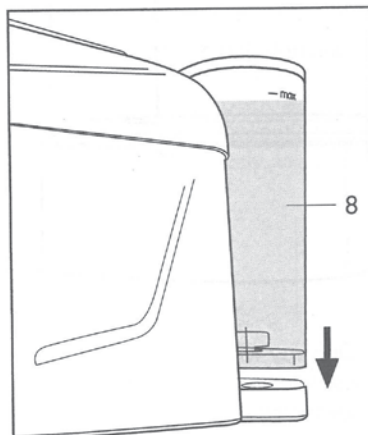


Fig. 3

ATTENTION:

To avoid water leakages, check that the tank is correctly secured.



Starting up/heating

- Connect the machine by inserting the plug in the power socket.
- Switch on the machine by pressing one of the symbols (2) or (3) or the 2 symbols (2) and (3) simultaneously for the 2-Dose model. For the 1-Dose model, press the symbol (3) (**Fig.4**). The symbols (2-3) will flash intermittently until the temperature is reached; when the symbols (2-3) are lit with a fixed light the machine is ready for use.
- Each time it is switched on, when the machine reaches the operating temperature, the pump is activated for 1 second to eliminate cold water from the internal circuits.
- When the machine is heating (with symbols 2-3 blinking) it cannot dispense beverages.

Energy saving function

The machine is provided with a system that enables it to pass to energy saving conditions (OFF) after it has been switched on for a certain time without being used.

If the machine remains on without being used, it switches off automatically after about fifteen minutes.

To use the machine again, press a dispensing symbol (2-3) and wait for it to heat up: the dispensing symbols (2-3) will blink intermittently until the temperature is reached; when the symbols (2-3) are lit with a fixed light the machine is ready for use. (**Fig.4**).

Switching off the machine

The machine can be switched off by simultaneously pressing and holding down for 5 seconds the symbols (2-3) for the 2-Dose model or the symbol (3) for the 1-Dose model. (**Fig.4**)

ATTENTION:

To save energy, the machine automatically switches off when not in use for more than 15 minutes.

Rinsing the machine/internal circuits

At the first use, or if the coffee machine has remained unused for a long time, the internal circuits must be rinsed following the procedure described below:

- Check that there are no capsules inside the machine and that there is water in the tank (8); switch on the machine by pressing one of the symbols (2-3) or simultaneously the 2 symbols (2-3) for the 2-Dose model. For the 1-Dose model, press the symbol (3) (**Fig.4**)
- The symbols (2-3) will flash intermittently until the temperature is reached; when the symbols (2-3) are lit with a fixed light the machine is ready for use. Place a cup on the grid, then press the dispensing symbols (2-3), depending on the model, the machine, dispenses water (**Fig. 5**); press the symbol again when the desired amount of water has been reached. The rinsing operation is ended when at least three cups of water have been dispensed.

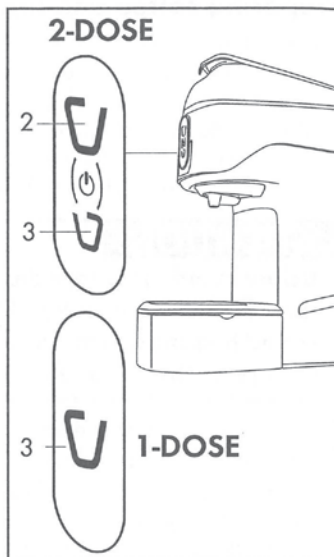


Fig. 4

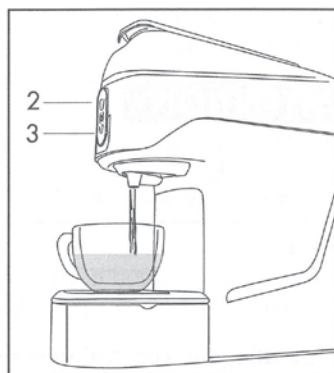


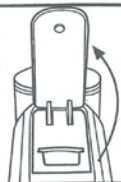
Fig.5

Preparing coffee and beverages

- Use capsules specifically intended for this machine.
- To prepare a good espresso or a beverage, when using the machine for the first time in the day, remember to preheat the cup with water from the machine without using the capsule. This will give you the correct temperature for dispensing the beverage.
- Place the cup under the dispensing spout.
- Lift the control lever (1) completely (Fig. 6) and insert a capsule in the space provided. (Fig. 7)

ATTENTION:

Before inserting the capsule, slowly and completely lift the control lever (1) located on the top of the machine to eject the old capsule. For correct hygiene and to maintain high product quality it is advisable to eject the capsule immediately after dispensing.



- Completely close the lever (1), press a dispensing button (2-3) depending on the model and according to taste, and press it again to stop dispensing when the desired quantity of coffee or beverage is reached (Fig. 8). In case of difficulty in closing the lever, completely open it and close it again.
- During dispensing the dispensing symbol (2-3) blinks and stops when dispensing is ended.
- To prepare a long coffee (American style) press the dispensing symbol (3) and, after having prepared the espresso coffee and ejected the empty capsule, dispense the desired amount of hot water.
- To extract the capsule, slowly lift the lever (1). If the capsule is not ejected, repeat the operation or press the dispensing symbol (2) and lift the lever (1) at the same time.

ATTENTION:

- After the consecutive dispensing of 10 coffees or beverages, wait at least 2 minutes before dispensing any more.
- The machine is designed to dispense single shots with a maximum duration of 75 seconds.

HINT:

- To prepare a good espresso or beverage, use thick cups, possibly preheated, so that the beverage will not cool too quickly. The cups can be heated by rinsing them under the dispenser spout.

Preheating the cups using the water in the machine is useful when starting dispensing to bring it to steady dispensing temperature.

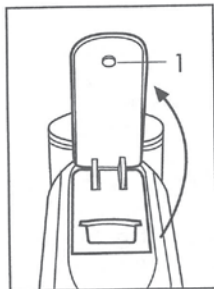


Fig. 6

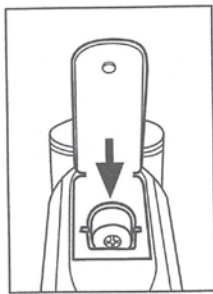


Fig. 7

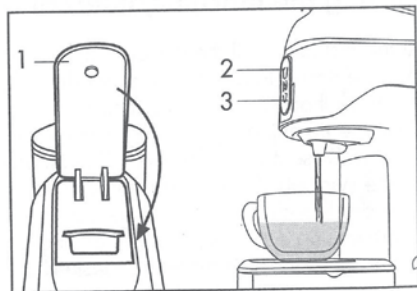


Fig. 8



Programming dispensing

2-Dose model:

press and hold down the symbol you want to program (2-3), the machine will start dispensing; once the desired quantity has been reached, release the symbol. The machine will then stop dispensing and the quantity will be memorised. (Fig.9)

1-Dose model:

press and release the symbol (3), press again immediately and hold down the symbol, the machine will start dispensing; once the desired quantity has been reached, release the symbol. The machine will then stop dispensing and the quantity will be memorised. (Fig.9)

NOTE: The minimum programming value is 10 seconds.

After preparing coffee and beverages

After preparing coffee and beverages, the used capsule is eliminated as follows:

- lift the control lever backwards (the capsule falls into the container provided).

ATTENTION: for correct hygiene, it is advisable to eject the capsule immediately after use.

Empty the container regularly.

- If you want to make another coffee or beverage, insert a new capsule and repeat the procedure, otherwise close the lever.
- If you want to prepare a different beverage from the one prepared previously, so as not to alter its taste, we recommend, after expelling the used capsule, to dispense some plain water to eliminate any possible residue.

Emptying the capsule container

Empty the capsule container regularly to ensure that they do not get stuck. To perform this operation, take out the drip tray (6) and remove the grid (5) (Fig. 10) Empty the container, wash and dry the components, then refit the drip tray (6) and insert it in its seat (Fig. 11)

STORAGE

If the machine is not to be used for a long time, take out the plug and empty the tank. Put the appliance away in a dry place, sheltered from dust and out of the reach of children. It is advised to put the appliance away in its original packaging. Keep the machine at a temperature not lower than 5°C to prevent any water residue from freezing and damaging the appliance.

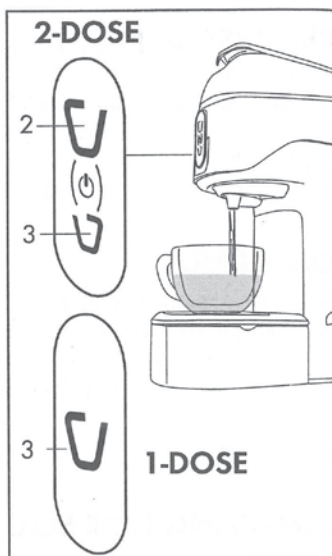


Fig. 9

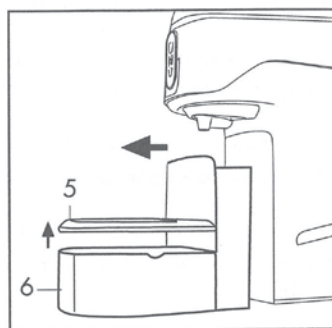


Fig. 10

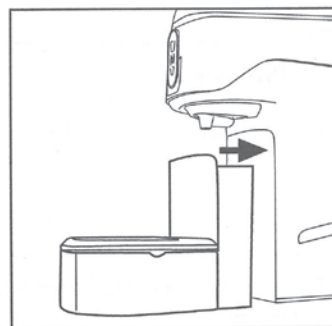


Fig. 11



REPAIRS/MAINTENANCE

In the event of a fault, malfunction, or damaged power cable, do not attempt to repair the appliance but apply to qualified personnel. Never try to start up faulty or damaged machines. Only authorised service centres can carry out repairs of any kind. The manufacturer declines all liability for damage to property and/or persons that may occur as a result of adaptations, alterations or improvised repairs, or repairs not carried out by qualified personnel.

CLEANING

Good maintenance of the coffee machine ensures a better performance over time and a longer life. Turn off the switches and remove the plug from the power socket before performing any cleaning operations. Never immerse the appliance in water, clean it only with a damp cloth, non-abrasive detergents, and dry it immediately. The components (grid, drip tray, capsule container and tank) can be washed by hand with non-abrasive detergents or in the dishwasher at medium temperature.

REMOVING LIME SCALE

The formation of lime scale is the natural consequence of use of the machine. The frequency with which scale should be removed depends on the hardness of the water used:

- remove scale every 6 months in the case of soft water (up to 25 f)
- remove scale every 4 months in the case of hard water (over 25 f)

To check the hardness of the water in your town, see the site:
<http://assocasa.federchimica.it/DUREZZAACQUA.aspx>

To remove lime scale use a non-toxic or non-harmful descaling product for coffee machines, readily available on the market. Do not use vinegar, lye, salt or formic acid as they would damage the machine.

WHAT TO DO IF:

Problem	Cause	Solution
Machine does not start	Plug not correctly inserted	Ensure that the plug is inserted in a live power socket and that the main switch (3) is pressed
	Faulty components	Apply to service centre
The machine dispenses coffee slowly	Internal components clogged by scale	Remove scale from the machine as described in the respective paragraph



Problem	Cause	Solution
The machine switches on but does not dispense coffee or beverages	Water tank (8) empty or not correctly inserted	Make sure that the water tank (8) is correctly inserted in its place and that it contains enough water
	Control lever (1) not completely closed	Make sure that the control lever (1) is completely closed
	Faulty pump	Check whether the pump is dispensing water: once the symbol (2) has been pressed you should feel a vibration, this is the sign that the pump is working correctly. If you do not feel any vibration, apply to the service centre. [If you feel the vibration but coffee or beverage dispensing does not start, repeat the operation 2/3 times at an interval of a few minutes. At the end of the procedure, if the machine is still not dispensing coffee or beverages, apply to the service centre.
	Capsule not completely perforated	Completely lift the lever (1), insert another capsule and try again. If the fault persists, apply to the service centre.
	Hydraulic components clogged by scale	Remove scale. If the problem persists, apply to the service centre.
The machine has switched off automatically.	This is not a fault.	The machine is designed to switch off automatically after 15 minutes without being used [see page 8].
The machine is vibrating a lot and making noise	Insufficient water level in the tank (8)	The strong vibration is caused by the pump which cannot draw up sufficient water. Top up the correct water level in the tank (8)
You cannot insert the capsule in the machine	Capsule is not compatible	Make sure that you are using a capsule specifically intended for this model
	Capsule inserted incorrectly	Insert the capsule facing in the correct direction (see page 9)
	Control lever (1) not completely open	Lift the lever (1) completely until it stops
	Capsule container (6) full	Make sure that the capsule container drawer (6) does not contain too many old capsules and cannot take any more, then empty it.
	The capsule used previously has not been ejected	Check that the capsule previously inserted in the group has been ejected into the capsule container drawer (6)
	If the fault persists, apply to the service centre.	



Problem	Cause	Solution
The capsule is not held in the infusion group and falls directly into the capsule container (6)	Control lever (1) not completely open	Completely open the control lever (1) so that the capsule support comes out of its housing; recover the unused capsule from capsule container (6) and insert it again. If the fault persists, apply to the service centre.
After having inserted the capsule in the infusion group, you cannot close the control lever (1)	Capsule not aligned with the infusion group	Open the control lever (1) again and then close it completely. If the fault persists, apply to the service centre.
	Capsule container (6) full	Make sure that the capsule container drawer (6) does not contain too many old capsules and cannot take any more, then empty it.
The coffee dispensed by the machine is cold	Faulty boiler	Apply to service centre
The capsule is not ejected correctly	Capsule stuck in the infusion group	Close the lever (1) and open it again slowly
		Press the symbol (2) and slowly open the control lever (1) while the water is being dispensed.
	Capsule container (6) full	Make sure that the capsule container drawer (6) does not contain too many old capsules, preventing ejection of the used capsule; empty it.
If the fault persists, apply to the service centre.		
Drips coming out of the spout (4) at the end of dispensing	This is not a fault.	It is normal for a few drips to come out at the end of dispensing
Coffee dispensing does not stop even if you press the dispensing symbols (2-3)	Faulty components	Take the plug out of the socket and apply to the service centre.
The coffee dispensed has an acid taste	The machine has not been properly rinsed after descaling	Rinse the machine again
	Use of expired capsules	Check the capsule expiry date

